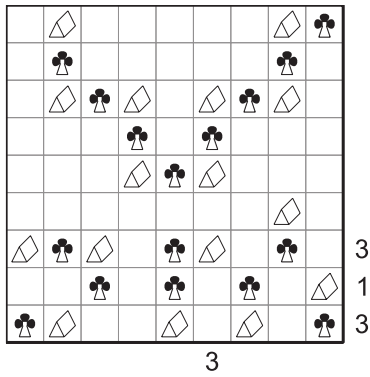
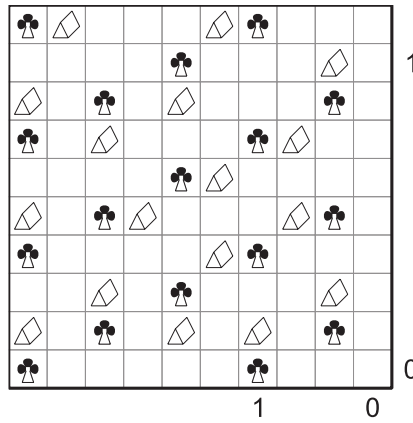


# Solutions

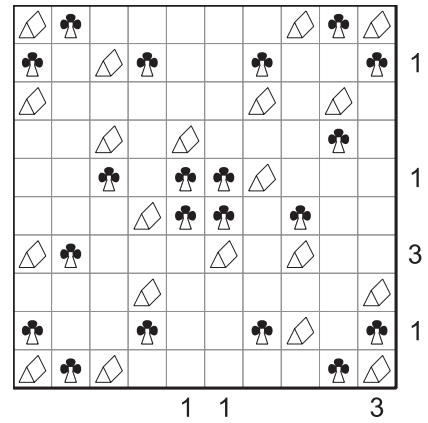
**Tents - 1**  
(Priyam)



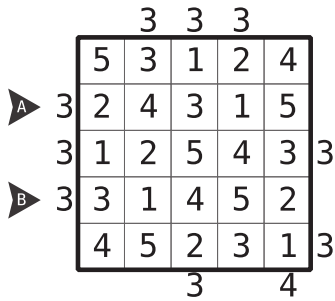
**Tents - 2**  
(Priyam)



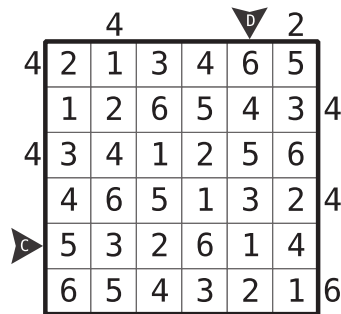
**Tents - 3**  
(Priyam)



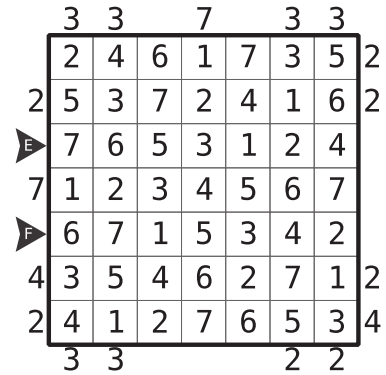
**Skyscraper - 1**  
(Priyam)



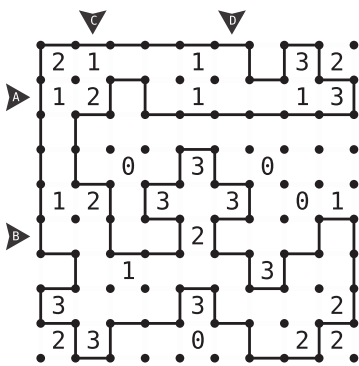
**Skyscraper - 2**  
(Priyam)



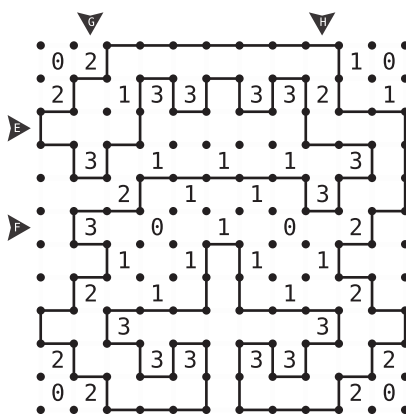
**Skyscraper - 3**  
(Priyam)



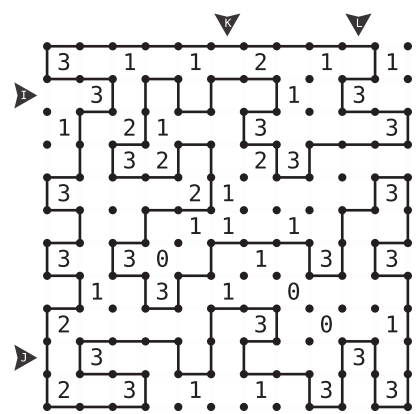
**Slitherlink - 1**  
(Priyam)



**Slitherlink - 2**  
(Priyam)

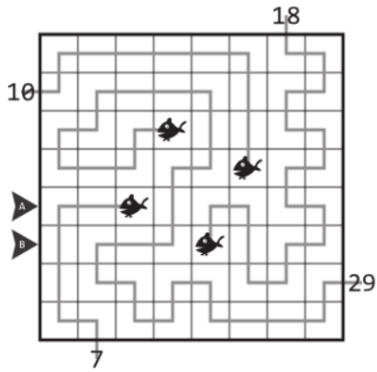


**Slitherlink - 3**  
(Priyam)

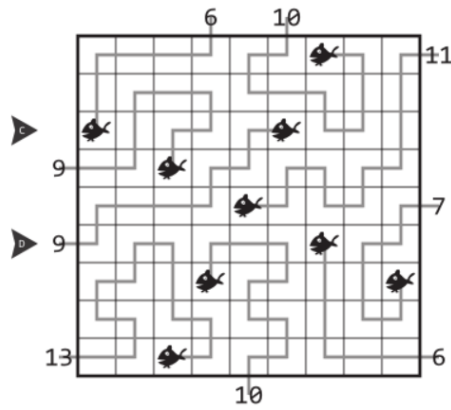


# Solutions

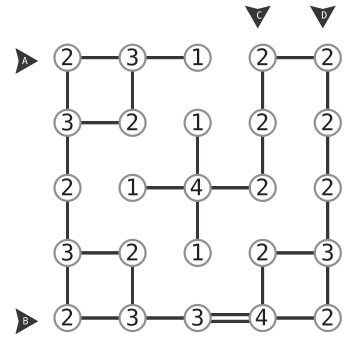
**Anglers – 1  
(Prasanna)**



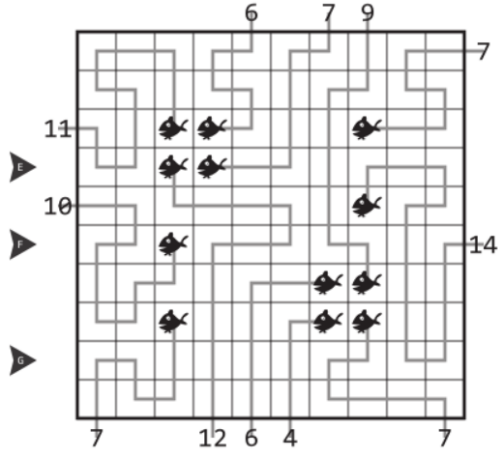
**Anglers – 2  
(Prasanna)**



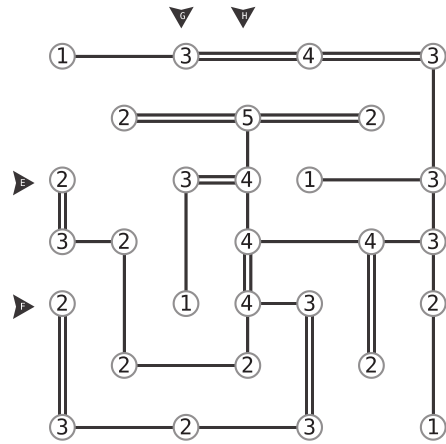
**Hashi – 1  
(Prasanna)**



**Anglers – 3  
(Priyam)**



**Hashi – 2  
(Prasanna)**



**Hashi – 3 (Priyam)**

