

Doppelblock 1

		4	8		6
3		1	2		4
9		2	4	3	
	2	3		4	1
	4		3	1	
1	3		1		2
5	1	4		2	3

Doppelblock2

	1	10	1	2	1	2
2	4		2		3	5
4	5	1	3	2		4
6		2	4		1	3
	1	4	5	3		
		3		1	5	2
10	2		1	5	4	
7	3	5		4	2	1

Doppelblock3

	14	3	12		2	3	2
15		4	1	2	5	3	
3	4	1		3		5	2
10	5		3	1	2	4	
	2	3	4	5			1
5	3		5		1	2	4
2		2		4	3	1	5
4	1	5	2		4		3

Magic Snail1

			A	B	C
	C		B	A	
A	B	C			
B				C	A
C	A	B			
		A	C		B

Magic Snail2

A	B		A		C
	A	B	A	C	
C	A			B	A
		C		A	B
A	C				A
		A	B	A	C
B		A	C		A

Magic Snail3

C			A	B	
B	C			A	
	A		B		C
A	B		C		
				B	A
		C		A	B
		A		C	B
	B				C

Skyscraper 1

		2	3	
1	5	2	4	3
2	3	2	1	5
	4	3	5	2
3	2	1	4	3
	5	4	3	1
1		3	3	

Skyscraper 3

2	4	3	1	2	6
5	1	2	4	3	5
	3	1	6	5	4
	2	6	5	4	3
	6	5	3	1	2
	5	4	2	6	1
		3	4	6	3

Skyscraper 3

	7	6	5	4	3	2	1	7
6	2	3	4	1	5	6	7	
	3	5	1	7	2	4	6	
	6	4	2	3	7	1	5	
	5	1	7	6	4	3	2	5
	4	7	6	2	1	5	3	4
6	1	2	3	5	6	7	4	
								4

Hungarian Doppelblock

		0	5	6		6	6
13		1	3	5	4		2
7	3	5		4	1	2	
1	2		1		3	4	5
9	5		4	3	2		1
	4	2		1	5	3	
11		4	5	2		1	3
	1	3	2			5	4

Dominos 1

Hungarian Magic Snail

ABAC

B	A			A	C		
A		C		B	A		
C	A	A			B		
A	B		C				A
		B	A			A	C
	C			A		B	A
			A	C		A	B
		A	B		A	C	

Dominos 2

Dominos 3

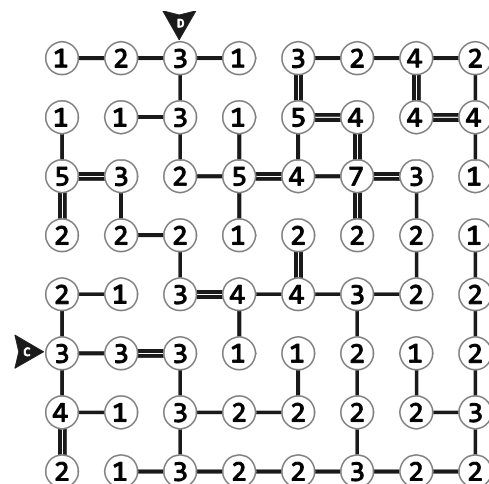
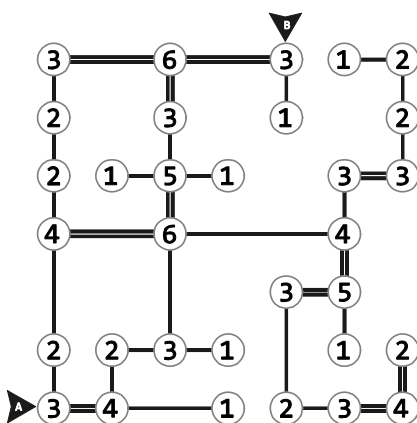
4	3	4	4	3	1
1	3	3	0	0	1
3	0	2	2	2	0
0	1	0	2	1	3
4	1	4	2	2	4

Hashi 1

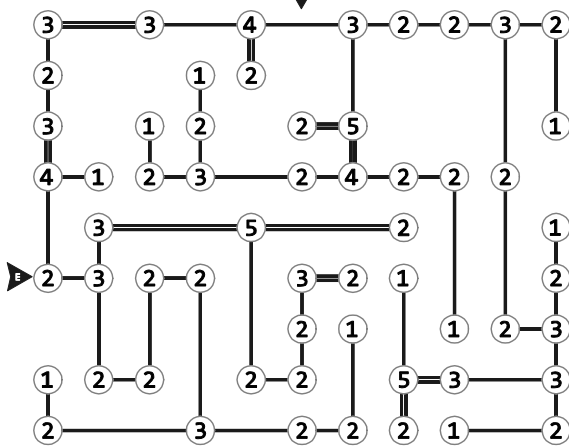
4	3	4	4	3	1
1	3	3	0	0	1
3	0	2	2	2	0
0	1	0	2	1	3
4	1	4	2	2	4

1	6	1	7	2	4	3	0	3	
3	5	4	2	2	7	3	5	5	
7	6	1	0	6	2	3	5	0	
4	1	4	4	4	0	5	2	7	
2	6	7	5	2	4	4	1	1	
1	7	0	6	0	0	0	7	2	
0	6	5	6	4	7	7	3	6	
3	1	1	5	3	5	3	2	6	

Hashi 2



Hashi 3



Scrabble 1

R	A	M	Y	N
M	N	Y	R	A
N	R	A	M	Y
A	Y	R	N	M
Y	M	N	A	R

Scrabble 2

			N	O	R	T	H					
			A									
			I			P						
	W	A	L	L		T	O	G	G	L	E	
C	E				F	E	E				A	
	S				S	L	A	M			S	
	T	A	S	T	Y				F	O	O	T
D		X		A					I		D	
		E		T					S		D	
				S	O	U	T	H				

Scrabble 3

F	G	H	I																
Z	A	E	A	F	R	A	N												
	S																		
	P																		
	K	R	O	K	O	S													
		O		E															
		S		S															
				A			M												
	S	H	I	R	O		I												
	A						D												
	P	R	A	S	I	N	O	S											
	H						R												
	E		A	K	H	D	I	R											
	D		B																
			Y	E	S	I	L												
			A		A														
	B		D		F													S	
	E				U													H	
	Y		T	I	R	A	N	G	A	A									
	A				A														F
	Z	E	L	E	N				S										R
									H	A	R	A							
										F		N							
										R									
									B	J	A	L							
											N								

Scrabble Instructionless 1

		B			
A	B	A	B	B	
A	B	A	A		B
B	A	A		B	A
A	B	B	A	B	B
A		A	B	A	A
A	A	B	B	B	

Scrabble Instructionless 2

	N	O	D	E		A		S					
			L			S	S	E	M	B	L	Y	
	S	T	E	P				T					
A	Y		M	A		E		M			O	B	
	I	N	T	E	R	A	C	T	I	O	N	A	
	C	O	N	T								D	
B		O	T			T						Y	
M		L			F	I	E	L	D		R	U	N
	E	S			O				E				A
			M	A	N	A	G			R			M
M									L			I	
	A	T	E	R	I	A						C	