



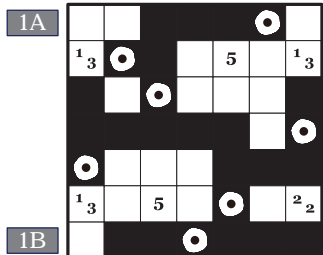
Tapa Variations Contest

TVC XIX
SOLUTIONS

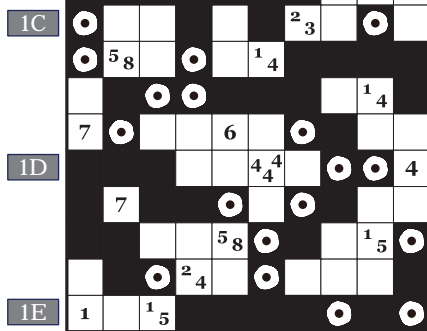
Dec 2016
week 3

1. Black Hole Tapa

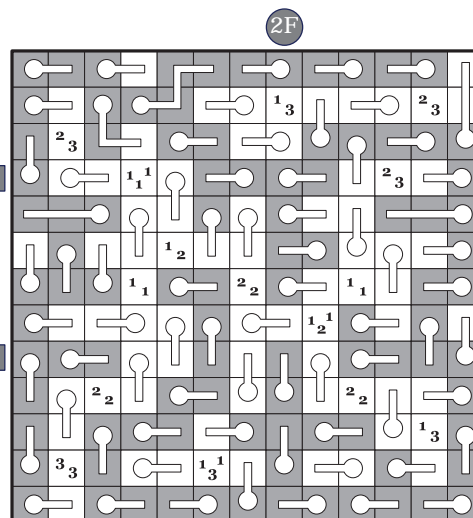
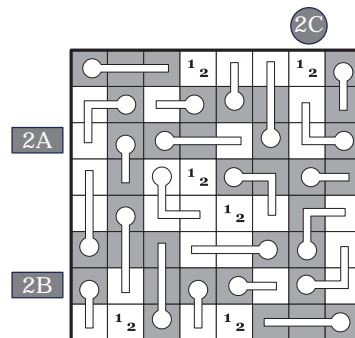
Fatih Kamer Anda



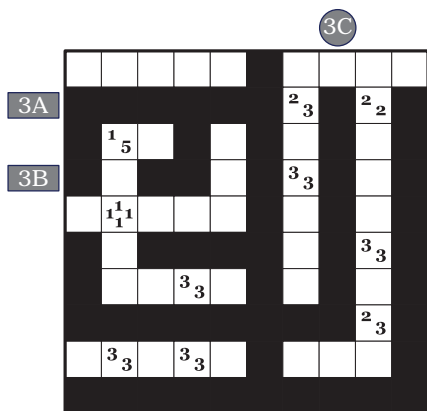
Serkan Yürekli



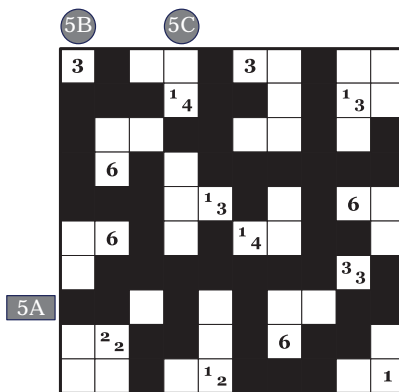
2. Thermometer Tapa - Fatih Kamer Anda



3. Tapa 1-n - Serkan Yürekli



5. Lonely Tapa- Serkan Yürekli



4. Arrows Tapa- Serkan Yürekli

