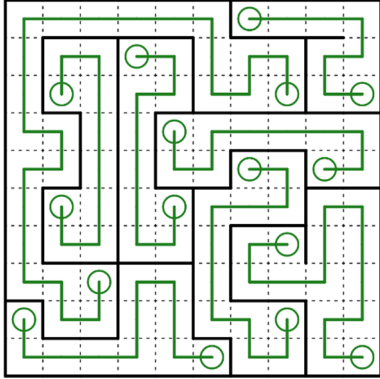
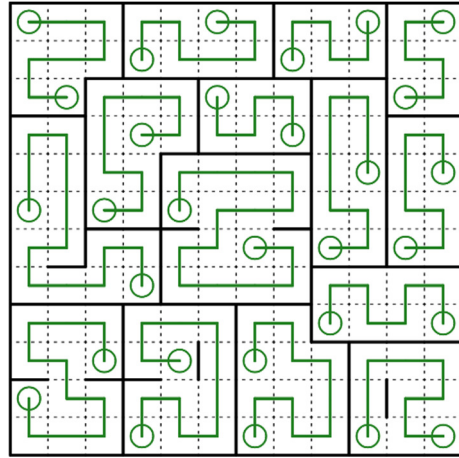


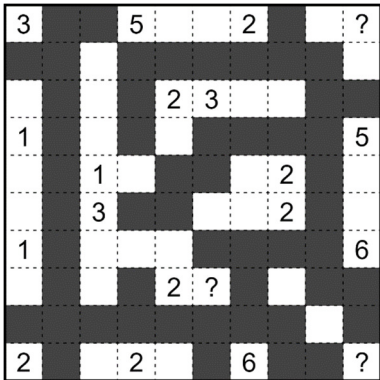
# Solution Booklet WPC Round 4



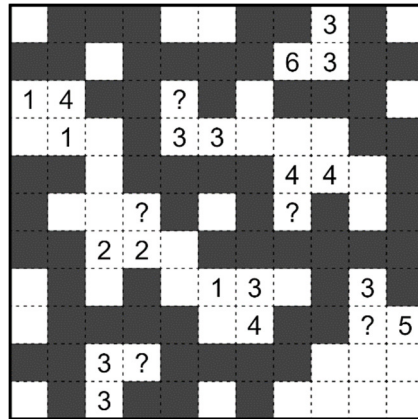
Rassi Silai 1 – Prasanna Seshadri



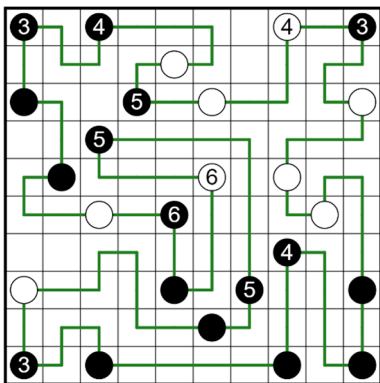
Rassi Silai 2 – Prasanna Seshadri



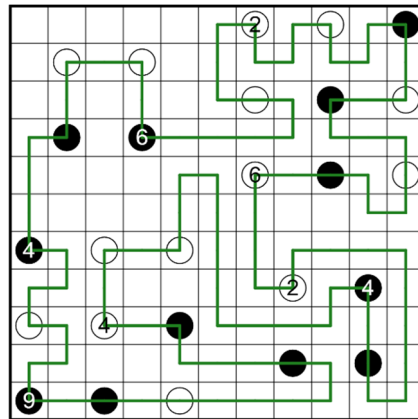
Canal View 1 – Prasanna Seshadri



Canal View 2 – Prasanna Seshadri



Balance Loop 1 – Prasanna Seshadri



Balance Loop 2 – Prasanna Seshadri



# Solution Booklet WPC Round 4

|   |   |   |   |   |
|---|---|---|---|---|
| 5 | 1 | 4 | 2 | 3 |
| 1 | 2 | 5 | 3 | 4 |
| 4 | 5 | 3 | 1 | 2 |
| 2 | 3 | 1 | 4 | 5 |
| 3 | 4 | 2 | 5 | 1 |

Consecutive Quads 1 – Ashish Kumar

|   |   |   |   |   |   |
|---|---|---|---|---|---|
| 6 | 2 | 4 | 1 | 3 | 5 |
| 5 | 6 | 3 | 4 | 2 | 1 |
| 2 | 5 | 1 | 3 | 4 | 6 |
| 1 | 3 | 6 | 2 | 5 | 4 |
| 4 | 1 | 2 | 5 | 6 | 3 |
| 3 | 4 | 5 | 6 | 1 | 2 |

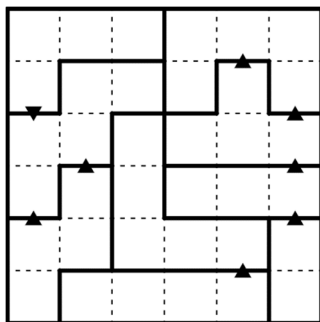
Consecutive Quads 2 – Ashish Kumar

|    |    |   |   |    |
|----|----|---|---|----|
| 1  | 14 | 2 | 7 | 12 |
| 1  |    |   |   |    |
| 18 |    |   |   |    |
| 2  |    |   |   |    |
| 7  |    |   |   |    |
|    |    |   |   |    |
| 2  |    |   |   |    |
|    |    |   |   |    |

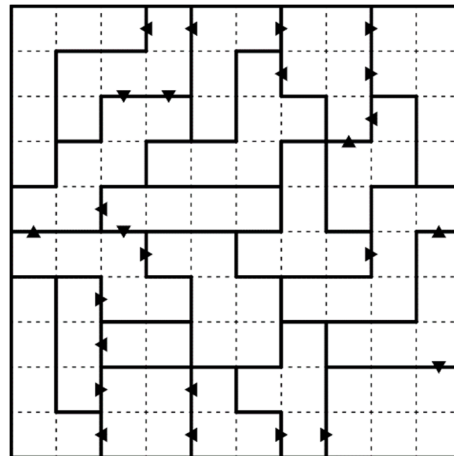
Place by Product 1 – Prasanna Seshadri

|    |   |    |   |    |   |   |    |   |   |
|----|---|----|---|----|---|---|----|---|---|
| 5  | 9 | 24 | 1 | 11 | 1 | 1 | 28 | 8 | 4 |
| 10 |   |    |   |    |   |   |    |   |   |
| 1  |   |    |   |    |   |   |    |   |   |
| 24 |   |    |   |    |   |   |    |   |   |
| 8  |   |    |   |    |   |   |    |   |   |
|    |   |    |   |    |   |   |    |   |   |
| 18 |   |    |   |    |   |   |    |   |   |
| 10 |   |    |   |    |   |   |    |   |   |
|    |   |    |   |    |   |   |    |   |   |
| 6  |   |    |   |    |   |   |    |   |   |
| 5  |   |    |   |    |   |   |    |   |   |

Place by Product 2 – Prasanna Seshadri



Heterocut 1 – Ashish Kumar



Heterocut 2 – Ashish Kumar