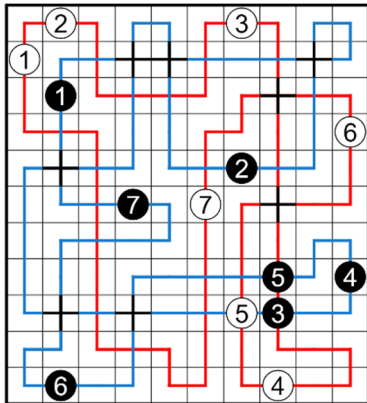
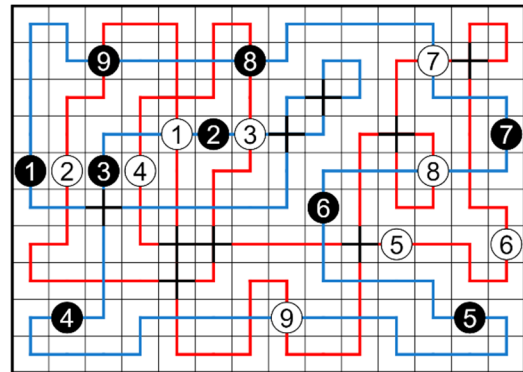


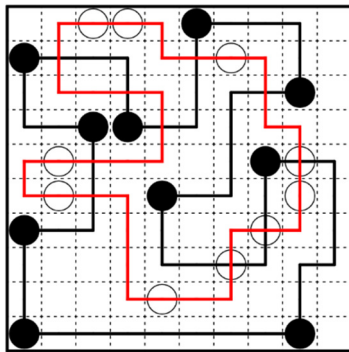
# Solution Booklet WPC Round 8



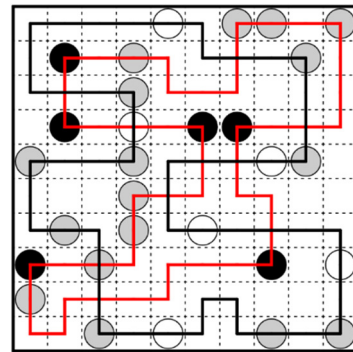
Railroad Tracks 1 – Craig Kasper



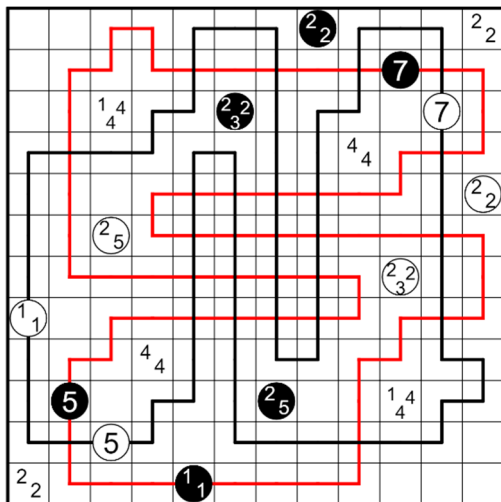
Railroad Tracks 2 – Craig Kasper



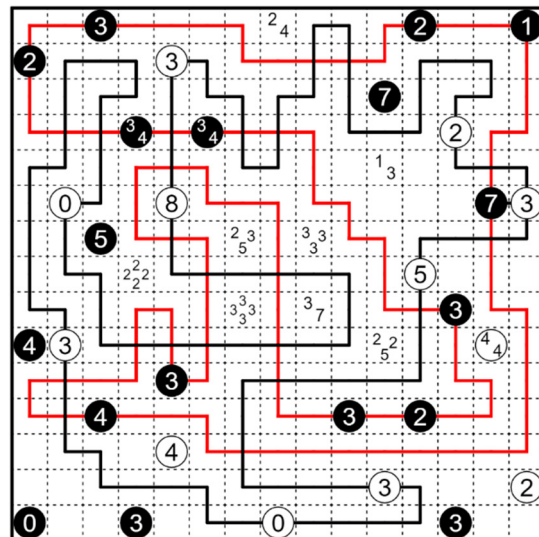
Masyu 1 – Craig Kasper



Masyu 2 – Craig Kasper



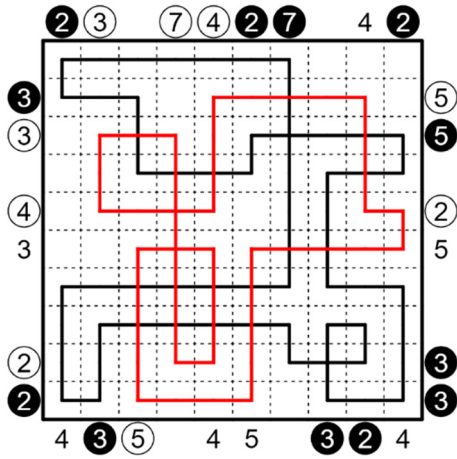
Tapa-like Loop 1 – Craig Kasper  
\* This puzzle has alternate solutions



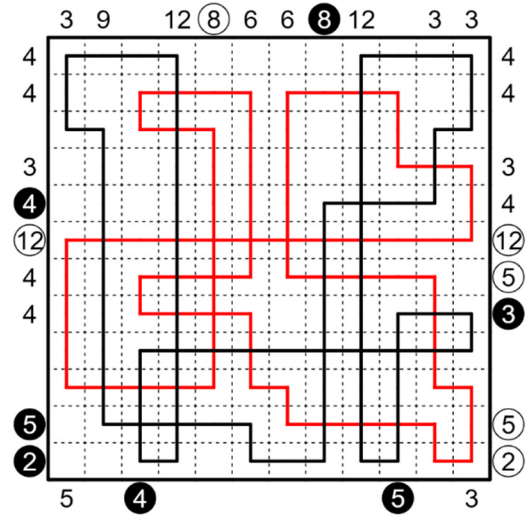
Tapa-like Loop 2 – Craig Kasper



# Solution Booklet WPC Round 8



Round Trip 1 – Craig Kasper



Round Trip 2 – Craig Kasper