

Solution Booklet WPC Round 9

6	1	3	4	2	5
3	2	4	6	5	1
2	5	6	1	4	3
1	6	5	2	3	4
4	3	2	5	1	6
5	4	1	3	6	2

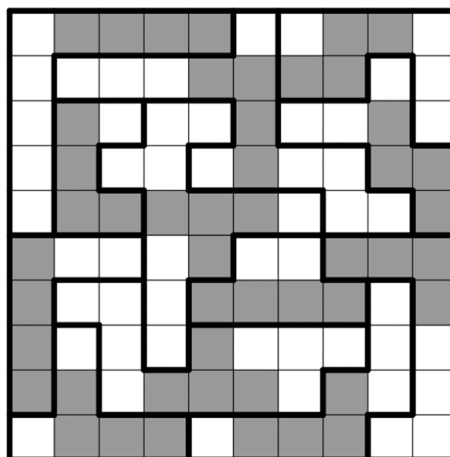
Kropki 1 – Tawan Sunathvanichkul

3	1	6	2	8	7	5	4
2	5	4	1	6	3	7	8
1	8	7	3	4	2	6	5
8	3	2	6	7	5	4	1
6	4	5	8	3	1	2	7
5	7	8	4	2	6	1	3
7	2	3	5	1	4	8	6
4	6	1	7	5	8	3	2

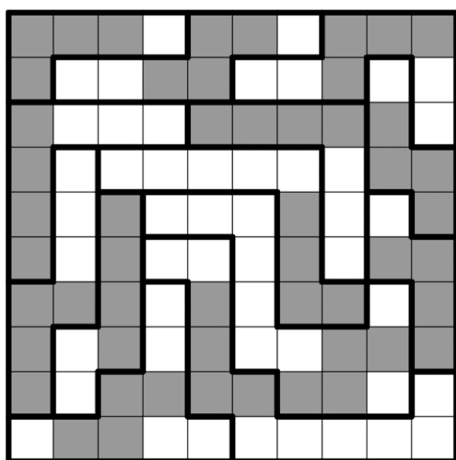
Kropki 2 – Tawan Sunathvanichkul

6	1	7	3	4	2
4	7	3	1	2	6
3	2	4	6	7	1
7	4	1	2	6	3
2	3	6	7	1	4
1	6	2	4	3	7

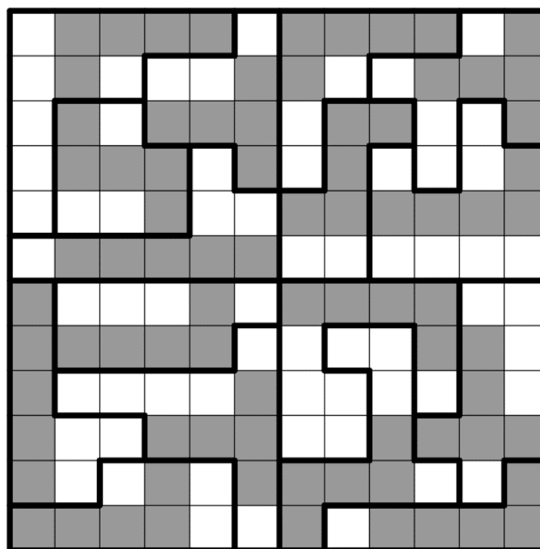
Kropki Pool – Chenhao Xu



LITS 1 – Yanzhe Qiu

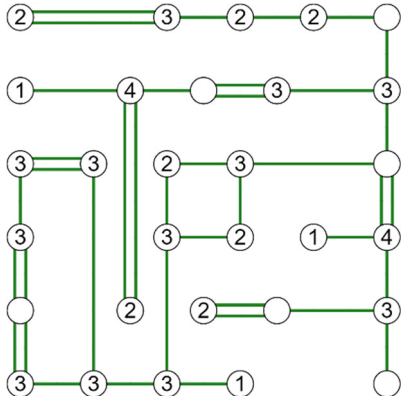


LITS 2 – Mingyi Wang

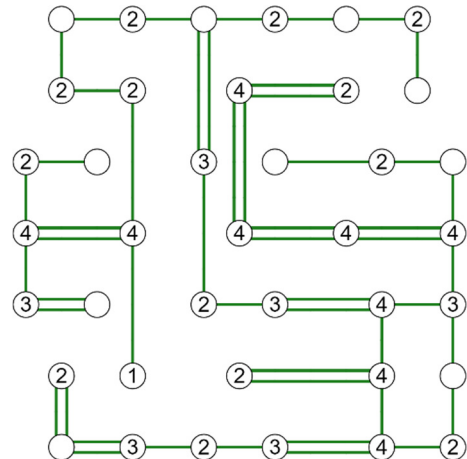


LITZ – Yanzhe Qiu

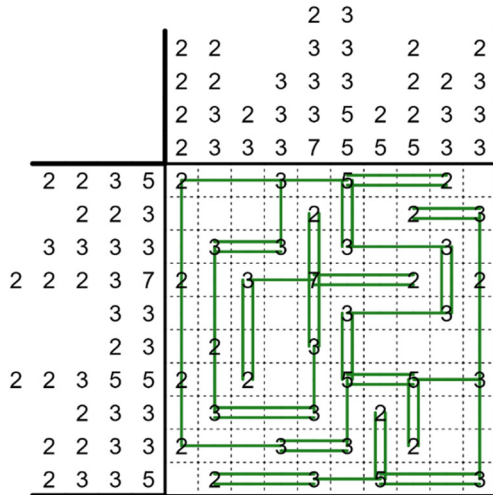
Solution Booklet WPC Round 9



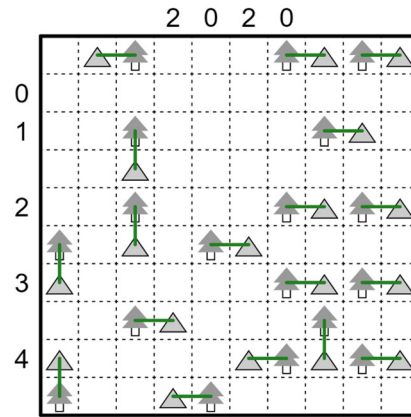
Hashi 1 – Prasanna Seshadri



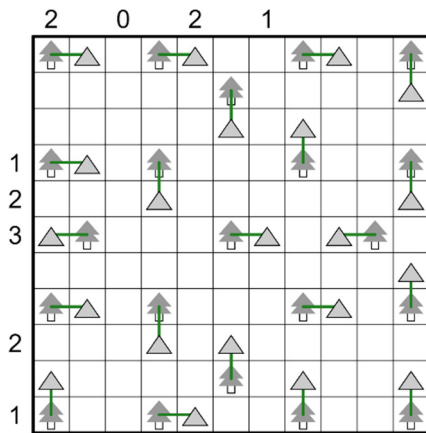
Hashi 2 – Prasanna Seshadri



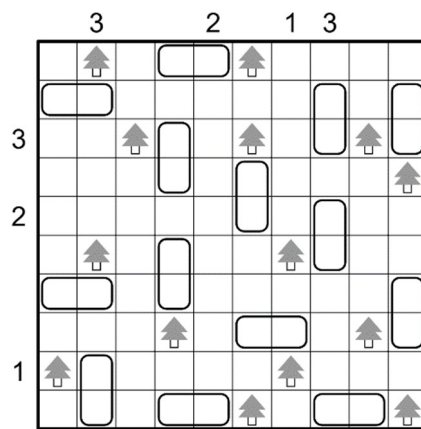
Outside Hashi – Chenhao Xu



Tents 1 – Chenhao Xu



Tents 2 – Prasanna Seshadri



Big Tents – Yanzhe Qiu